

CONTINENTAL NH3 PRODUCTS

INSTALLATION, OPERATION, REPAIR AND MAINTENANCE INSTRUCTIONS

PRODUCT SERIES: A-462

ATTENTION: Please follow all of the instruction in this manual carefully and read the entire manual completely, failure to do so may cause the product to function improperly or fail causing serious injury or death.



ANHYDROUS AMMONIA IS AN INHALATION HAZARD AND WILL CAUSE SERIES INJURY OR DEATH. PLEASE USE EXTREME CAUTION WHEN HANDLING IT OR PERFORMING ANY MAINTENANCE ON EQUIPMENT USED FOR ANHYDROUS AMMONIA.

ATTENTION: Before performing any installation, repair or maintenance please follow the instructions below.

1. You must be certified to work with anhydrous ammonia. If you are not please seek out the appropriate agricultural department to attend a class to obtain the proper certification.
2. Wear appropriate safety goggles, gloves and breathing apparatuses.
3. Drain all tanks, hoses and piping of anhydrous ammonia COMPLETELY before removing, installing, performing maintenance or repairing any equipment.
4. Always remove device from service before performing any maintenance or repair
5. have sufficient water near by
6. Obey all local, state and federal laws regarding the handling of anhydrous ammonia

INSTALLATION & OPERATION

1. Apply pipe thread sealant to both sides of 2" pipe nipple and screw into 2" tank connection. Make sure you use a SCH. 80 seamless pipe nipple.
2. Valve may be installed into piping arrangement if needed meet CFM requirement for tank size.
3. Make sure hand wheel is in the middle position so to maximize flow.
4. When needing to change the relief valves installed into the two 1-1/4" outlet ports screw hand wheel clock wise to turn of the relief valve farthest away from the hand wheel. Slowly open the bleeder valve to vent the ammonia between the seat and the relief valve. NOTE THE DIRECTION THE BLEED VALVE HOLE IS POINTING BEFOR OPENING THE A-411 AND STAND IN A SAFE DIRECTION. Replace only the relief valve farthest from hand wheel with a new one and close the bleeder valve.
5. Next screw the hand wheel counter clockwise until tight and vent the ammonia and change the relief in the same manner as described in the previous step #4
6. After changing both relief valves screw the hand wheel so that is located at the half way point between the two farthest positions.

MAINTENANCE

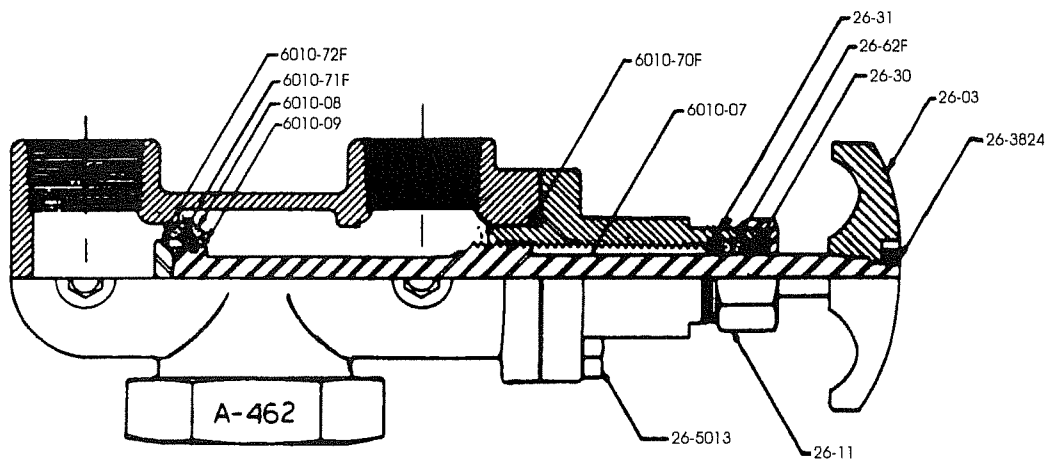
1. Check valve regularly for leaks and wear.
2. If any threads on the valve are getting warned down replace the valve immediately
3. If valve leaks from pipe thread connection try to tighten the valve to stop the leak. If it continues to leak replace the valve.
4. If valve leaks from the stem, 6010-100 gently tighten 26-14 packing nut to stop leak. If this fails either replace the valve or install a repair kit, A-462-RK immediately.
5. If valve leaks from bonnet, 6010-04 or seat, 6010-60, either replace valve or install repair kit, A-462-RK immediately.

REPAIR

1. Remove valve from service by following the above ATTENTIONS AND CAUTIONS.
2. Remove the seat 6010-08 by removing the seat retaining snap ring 6010-72-F with snap ring pliers. The seat is access through the 2" inlet port of the valve body.
3. Remove bonnet assembly 6010-04 from valve body and remove hand wheel from stem.
4. Remove stem 6010-07 and packing nut 26-11 and remove all of the packing from the bonnet 6010-04..
5. reinstall the 26-31 washer bevel side up and install new Teflon packing 26-62F bevel side up and replace the inside and outside orings 26-72-F and 26-73-F in the follower 26-30 and install it in to the bonnet flat side up
6. Place some grease on the threads of the bonnet where the 26-11 packing nut goes and reinstall the packing nut hand tight.
7. Reinstall the 6010-07 stem into the bonnet 6010-04 by pushing gently and turning clockwise simultaneously until the stem is screwed in half way to the bonnet.
8. Put thread sealant on the new bonnet quad-ring 6010-70F and reinstall the bonnet into the valve body and install and tighten the 4 bonnet retaining bolts .Make sure the old bonnet quad-ring is removed it sometimes gets stuck in the valve body.
9. Reinstall the hand wheel onto the stem and tighten packing nut 26-11 until snug. The tighter you get the packing nut the harder the hand wheel is to turn so adjust to desired tension.
10. Install the seat seal o-ring 6010-71-F into the seat 6010-08 and install the seat assembly onto the stem by accessing the stem through the 2" inlet port on the valve body.
11. Reinstall the seat retaining snap ring 6010-72 with a pair of snap ring pliers and make sure the snap ring "clicks" into position. If it is not installed properly the seat will fall into the tank.
12. Reinstall the valve into service by following the above installation instructions.

QUESTIONS CALL 800-537-5642

Catalog Number	Description	List Price	100 Piece Ship Wgt.
A-462 RELIEF VALVE MANIFOLD REPAIR PARTS			
26-03	HAND WHEEL		
26-11	PACKING NUT		
26-30	PACKING FOLLOWER		
26-31	PACKING RETAINER WASHER		
26-3824	HAND WHEEL LOCK NUT		
26-5013	BONNET BOLT		
26-62-F	TEFLON "V" RING PACKING (SET)		
26-72-F	FOLLOWER WIPER "O" RING (INTERNAL)		
26-73-F	FOLLOWER WIPER "O" RING (EXTERNAL)		
26-94-F	HAND WHEEL LOCK WASHER		
6010-07	STEM		
6010-08	NYLON SEAT		
6010-09	SEAT RETAINER POPPET		
6010-70-F	BONNET GASKET		
6010-71-F	SEAT SEAL GASKET		
6010-72	SEAT RETAINER LOCK RING		
6010-X	2" X CLOSE E.H. NIPPLE		
A-462-RK	REPAIR KIT, INCLUDES - 6010-08, 6010-70-F, 6010-71-F, 26-30, 26-31, 26-62-F, 26-72-F, 26-73-F,		



CONTINENTAL NH 3 PRODUCTS CO., INC.

130 YORKTOWN

P.O. BOX 225323

DALLAS, TEXAS 75222-5323

800-537-5642