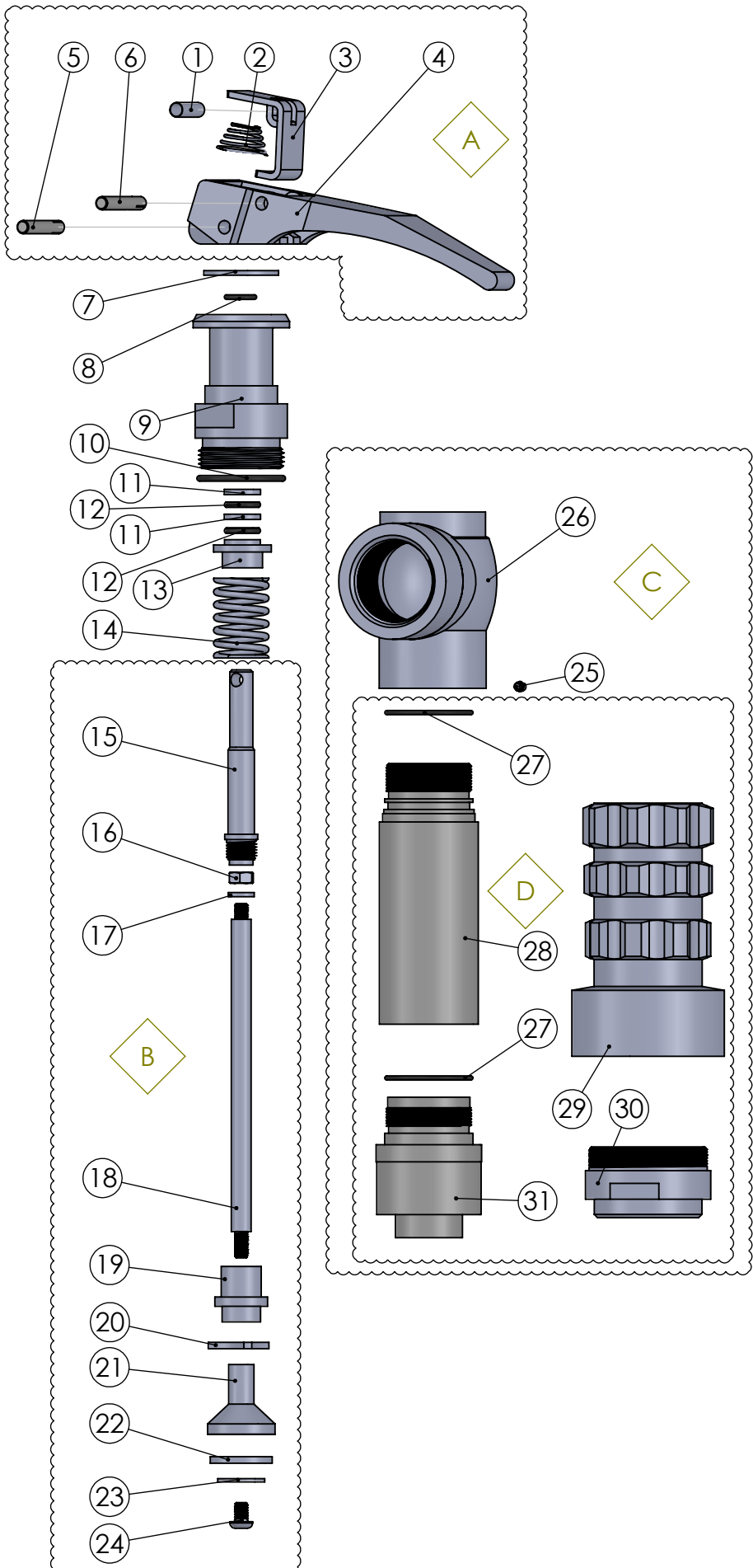


# A-QOVM-125FF

Continental NH3 Products



ITEM NO.	PART NUMBER	QTY.	Individually Available
Repair Kit	A-QOVMFF-RK, * = Included		Yes
<b>A</b>	SUB-QOVM-HANDLE	1	Yes
<b>B</b>	SUB-QOVM-53FF	1	Yes
<b>C</b>	SUB-QOVM-125-FF	1	Yes
7	QOVM-500 *	1	Yes
8	25H-8111 *	1	Yes
9	QOVM-10	1	Yes
10	QOVM-221 *	1	Yes
11	QOVM-52N *	2	Yes
12	QOVM-112 and KIN5112 *	2	Yes
13	QOVM-31N *	1	Yes
14	QOVM-90-84	1	Yes
<b>A - SUB-QOVM-HANDLE</b>			
1	QOVM-BUS	1	Yes
2	QOV-901	1	Yes
3	QOV-702	1	Yes
4	QOVM-04 V2	1	Yes
5	QOVM-4-162	1	Yes
6	QOVM-4-150	1	Yes
<b>B - SUB-QOVM-53FF</b>			
15	QOVM-53U	1	No
16	QOVM-1428-2WLN	1	No
17	QOVM-51W	1	No
18	QOVM-53L-FF	1	No
19	QOVM-12-53	1	No
20	QOVM-41-XL	1	No
21	QOVM-12-FF	1	No
22	QOVM-60LOD *	1	Yes
23	QOVM-W-FF	1	Yes
24	QOVM-2520 - 375S	1	Yes
<b>C - SUB-QOVM-125-FF</b>			
<b>D</b>	SUB-QOVM- 577	1	Yes
25	QOVM-1024	1	Yes
26	QOVM-01- 125-FF	1	Yes
<b>D - SUB-QOVM-577</b>			
27	QOVM-128 *	2	Yes
28	QOVM-577-2-FF-UN	1	No
29	QOVM-577-D-1-FF	1	No
30	QOVM-521-1-FF	1	No
31	QOVM-577-2-FF-LN	1	No