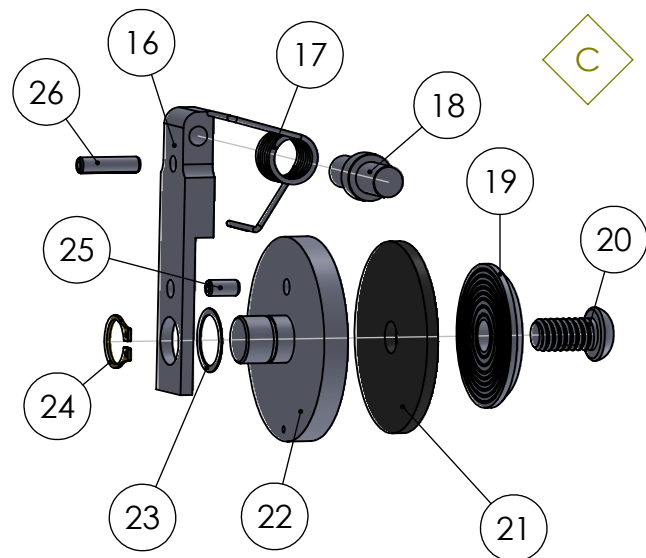
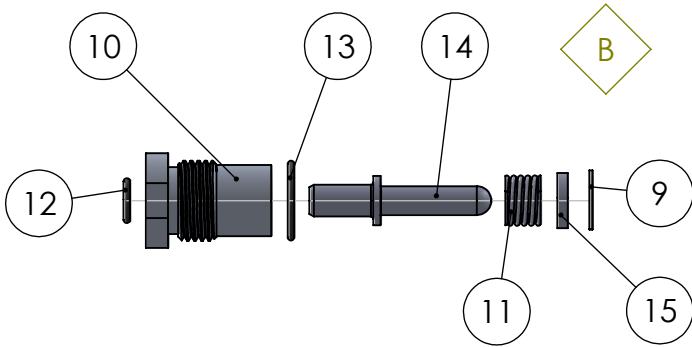
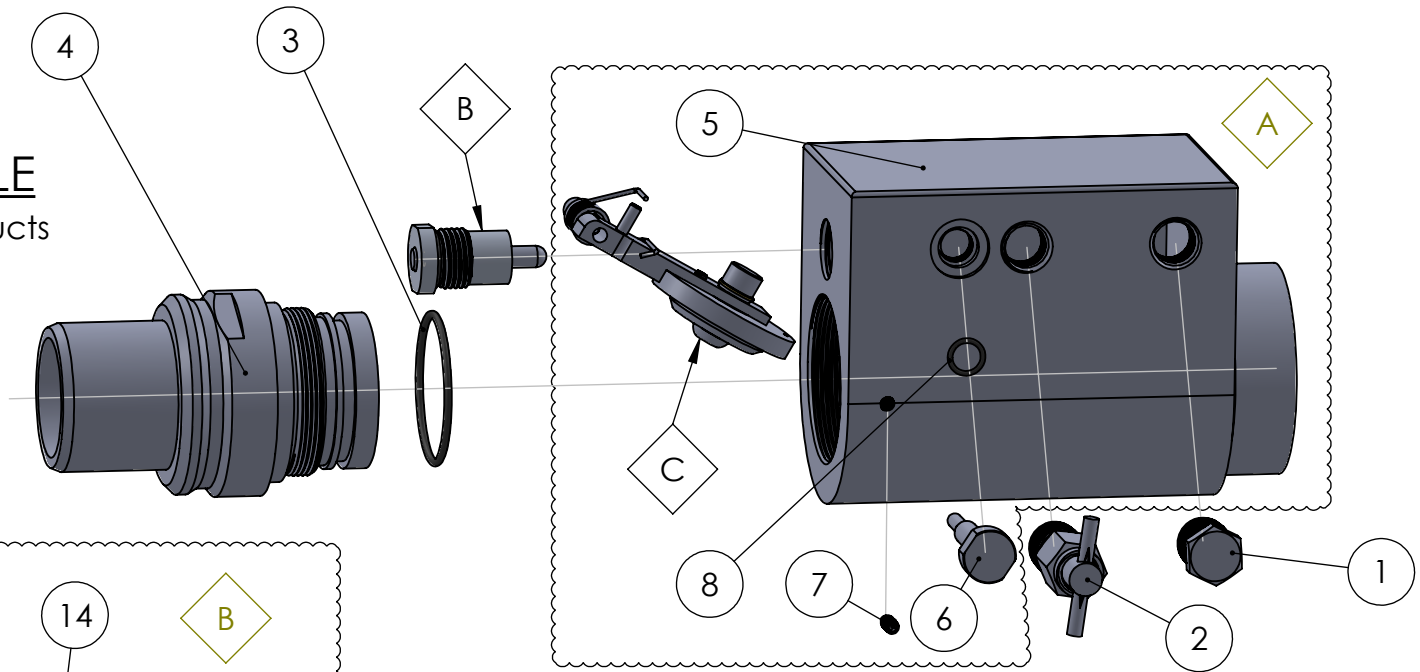


# B-SWV-125 MALE

Continental NH3 Products



| ITEM NO.                         | PART NUMBER             | QTY. | Individually Available |
|----------------------------------|-------------------------|------|------------------------|
| 1                                | A-1135                  | 1    | Yes                    |
| 2                                | A-411                   | 1    | Yes                    |
| <b>B</b>                         | SUB-SWV-11              | 1    | Yes                    |
| 3                                | SWV-12                  | 1    | Yes                    |
| 4                                | SWV-02                  | 1    | Yes                    |
| <b>A</b>                         | A-SWV-BODY - 01-XA-1.25 | 1    | Yes                    |
| <b>A - A-SWV-BODY-01-XA-1.25</b> |                         |      |                        |
| 5                                | SWV-BODY -01-XA-1.25    | 1    | No                     |
| 6                                | SWV-08                  | 1    | No                     |
| 7                                | SWV-17                  | 1    | Yes                    |
| 8                                | SWV-12                  | 1    | No                     |
| <b>C</b>                         | SUB-SWV-05-XL           | 1    | No                     |
| <b>B - SUB-SWV-11</b>            |                         |      |                        |
| 9                                | SWV-HO43SS              | 1    | No                     |
| 10                               | SWV-11                  | 1    | No                     |
| 11                               | SWV-LC038E05S           | 1    | No                     |
| 12                               | SWV-28                  | 1    | No                     |
| 13                               | SWV-33                  | 1    | No                     |
| 14                               | SWV-10                  | 1    | No                     |
| 15                               | SWV-11A                 | 1    | No                     |

| <b>C - SUB-SWV-05-XL</b> |                    |   |     |
|--------------------------|--------------------|---|-----|
| 16                       | SWV-05-XL          | 1 | No  |
| 17                       | SWV-10-RH          | 1 | No  |
| 18                       | SWV-09             | 1 | No  |
| 19                       | SWV-34             | 1 | Yes |
| 20                       | JJ2L-2520-50       | 1 | Yes |
| 21                       | SWV-07             | 1 | Yes |
| 22                       | SWV-04             | 1 | No  |
| 23                       | SWV - 351520140511 | 1 | No  |
| 24                       | SWV-SH37           | 1 | No  |
| 25                       | SWV-15             | 1 | No  |
| 26                       | 01-94F             | 1 | No  |