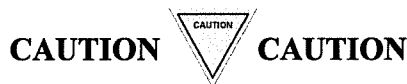


CONTINENTAL NH3 PRODUCTS

INSTALLATION, OPERATION, REPAIR AND MAINTINANCE INSTRUCTIONS

PRODUCT SERIES: A-BVT

ATTENTION: Please follow all of the instruction in this manual carefully and read the entire manual completely, failure to do so may cause the product to function improperly or fail causing serious injury or death.



ANHYDROUS AMMONIA IS AN INHALATION HAZARD AND WILL CAUSE SERIES INJURY OR DEATH. PLEASE USE EXTREME CAUTION WHEN HANDLING IT OR PERFORMING ANY MAINTENANCE ON EQUIPMENT USED FOR ANHYDROUS AMMONIA.

ATTENTION: Before performing any installation, repair or maintenance please follow the instructions below.

1. You must be certified to work with anhydrous ammonia. If you are not please seek out the appropriate agricultural department to attend a class to obtain the proper certification.
2. Wear appropriate safety goggles, gloves and breathing apparatuses.
3. Drain all tanks, hoses and piping of anhydrous ammonia COMPLETELY before removing, installing, performing maintenance or repairing any equipment.
4. Always remove device from service before performing any maintenance or repair
5. have sufficient water near by
6. Obey all local, state and federal laws regarding the handling of anhydrous ammonia

INSTALLATION & OPERATION

1. This valve is designed to use in conjunction with an electronic motor to control the flow of ammonia in an electronic metering system. Please see the electronic manufactures recommendations on installation and operation of control motor and installation location.
2. When installing pay close attention to flow direction. If installed backwards the valve my leak. The female threads are the inlet and the male threads are the outlet. By sure to use thread sealant on the pipe threads to eliminate leaking.

MAINTENANCE

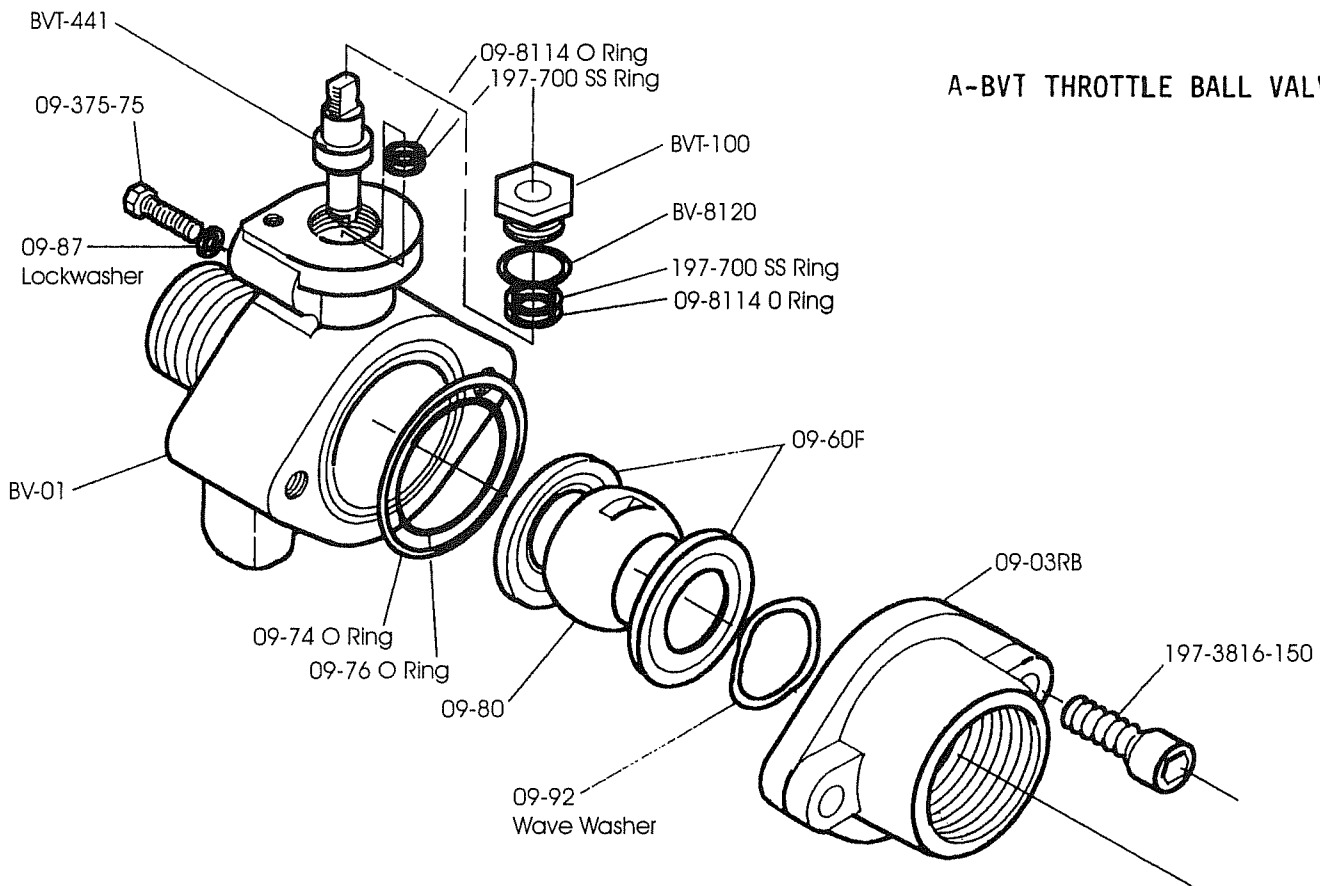
1. Check meter regularly for leaks and wear.
2. If leaking ammonia from pipe threads try tightening with a pipe wrench, if this fails replace valve.
3. If leaking form stem or flange install repair kit, A-BVT-RK or replace valve immediately.

REPAIR

1. Remove unit from service by following the above ATTENTIONS AND CAUTIONS.
2. Remove bonnet BVT-100 and pull stem BVT-441 out of the main body BVT-01. Replace the lower seal 09-8114 and reinstall washer 197-700. Reinstall stem BVT-441 into main body BVT-01. Remove packing from bonnet BVT-100 and reinstall washer 1970700 and replace the upper seal 09-8114 and bonnet o-ring BV-8120
3. Reinstall Bonnet BVT-100 use thread sealant on the threads and tighten firmly with wrench.
4. Remove Allen screws 197-3816-150 and remove inlet flange 09-03-RB, Remove ball 09-80 and all ball packing from body BVT-01 and discard o-rings and Teflon packing.
5. Reinstall new packing into body in this order from back to front. 09-76 o-ring, 1=09-60F, ball 09-80, 1=09-60F. Replace flange seal o-ring 09-74 and reinstall inlet flange 09-03-RB with Allen screws 197-1816-150 and tighten firmly.
6. Reinstall back into service by following the above installation instructions.

QUESTIONS CALL 800-537-5642

Catalog Number	Description	List Price	100 Piece Ship Wgt.
A-BVT BALL VALVE THROTTLE REPAIR PARTS			
09-03-RB	OUTLET FLANGE 1-1/4" MOUNTING HOLES NOT TAPPED		
09-375-75	BRACKET BOLT (4)		
09-60-F	BALL VALVE SEAT		
09-74	BODY "O" RING		
09-76	"O" RING SEAL: SHUT OFF BODY		
09-80	SHUT OFF BALL		
09-8114	CAP SEAL		
09-87	3/8" LOCK WASHER (4)		
09-92	BALL VALVE TENSION WASHER		
197-3816-150	BONNET SCREW		
197-700	SEAL BACK UP WASHER (2)		
A-BVT-RK	REPAIR KIT FOR THE A BVT THROTTLE BALL VALVE - REPAIR KIT INCLUDES - (2) 09-60F, (2) 09-8114, 09-74, 09-76, BV-8120		
BV-01	BODY		
BV-8120	BONNET O-RING		
BVT-100	BONNET		
BVT-441	SHAFT		



A-BVT THROTTLE BALL VALVE

CONTINENTAL NH 3 PRODUCTS CO., INC.

130 YORKTOWN

P.O. BOX 225323

DALLAS, TEXAS 75222-5323

800-537-5642